

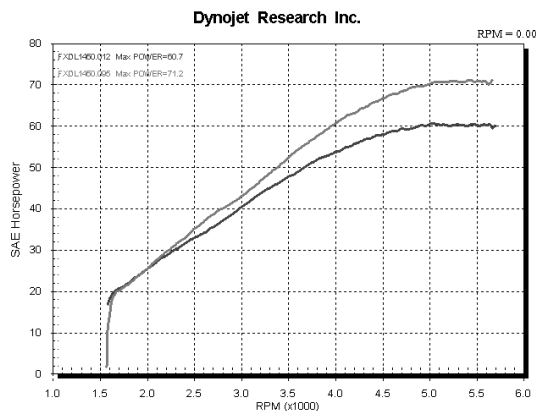
Thank you for purchasing this Dynojet kit. This kit has been developed for a motorcycle which is set to the parameters listed at the right in the "Stage" description. If your motorcycle does not meet any of these parameters please check with Dynojet before installation. For technical assistance contact your Dynojet distributor or call Dynojet U.S.A. (800)-992-4993



8136.001
U.S Models Only

*2004-2006 Harley Davidson
XL1200 C,R
THUNDERSLIDE JET KIT*

For stock or tuned machines using the stock or high flow airbox. May also be used with a good aftermarket exhaust system, cams and pistons.



This graph shows a typical gain with a Dynojet jet kit.

2191 Mendenhall Dr. Suite 105
North Las Vegas, NV 89081
TEL: 702-399-1423
FAX: 702-399-1431
8am-5pm Pacific Time
Monday through Friday

Website Address
<http://www.dynojet.com>

The manufacturer and seller make no warranties express or implied which extend beyond the description of the goods contained herein. Any description of this product is for the purpose of identifying it and shall not be deemed to create an express warranty.

WARNING
NO SMOKING!
NO OPEN FLAME!
WHILE INSTALLING
YOUR DYNOJET KIT

Parts List		
1	Main Jet	DJ150
1	Main Jet	DJ155
1	Main Jet	DJ160
1	Main Jet	DJ165
1	Main Jet	DJ170
1	Main Jet	DJ175
1	Main Jet	DJ180
1	Main Jet	DJ185
1	Main Jet	DJ190
1	Main Jet	DJ195
1	Fuel Needle	DNO889
1	E-Clip	DE0001
1	Thunder Slide	DTS005
1	Diaphragm Upper Retainer	DTS002
1	Diaphragm Lower Retainer	DTS004
1	Needle Spacer	THNR01
1	Emulsion Tube	DET001
1	Slide Spring	DSP009
1	Plug Drill	DD #5/32
1	Screw	DS0001
1	Diaphragm Instructions	DI8136S

Installation Instructions

Dynojet

8136.001

1. Remove the carburetor float bowl. Remove the stock main jet and emulsion tube (Fig. B), sometimes referred to as the main jet holder. Replace the stock emulsion tube with the Dynojet emulsion tube provided (DET001). When the Dynojet tube is fully seated there will still be threads visible. Install the Dynojet main jet provided. Use the DJ160 main jet with a completely stock bike. Use the DJ165 main jet with an aftermarket airbox. With aftermarket airbox and exhaust use the DJ170 main jet. With aftermarket airbox, exhaust and cam use the DJ175 main jet. With extensive engine work ie: cams, pistons, head work, airbox and exhaust, it may be necessary to use the DJ185 main jet.
2. Install the e-clip on groove #6 of the Dynojet needle. Install the Thunderslide, Dynojet needle, needle spacer, white needle retainer and Dynojet slide spring (DSP009) into the carb body (Fig. A).
3. Locate the fuel mixture plug (Fig. B), if you see a screw head at Fig. B proceed to the adjusting procedure. With the 5/32 drill provided, carefully drill through the plug. **NOTE:** The mixture screw is directly underneath this plug, be ready to pull back on the drill the instant you break through. Use screw provided to secure and remove this plug. Carefully turn mixture screw in until lightly seated, then back out 3.5 turns.

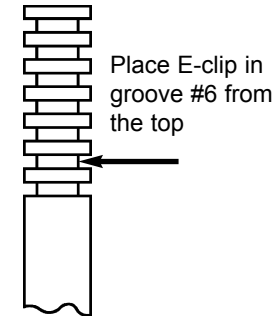


Fig. A

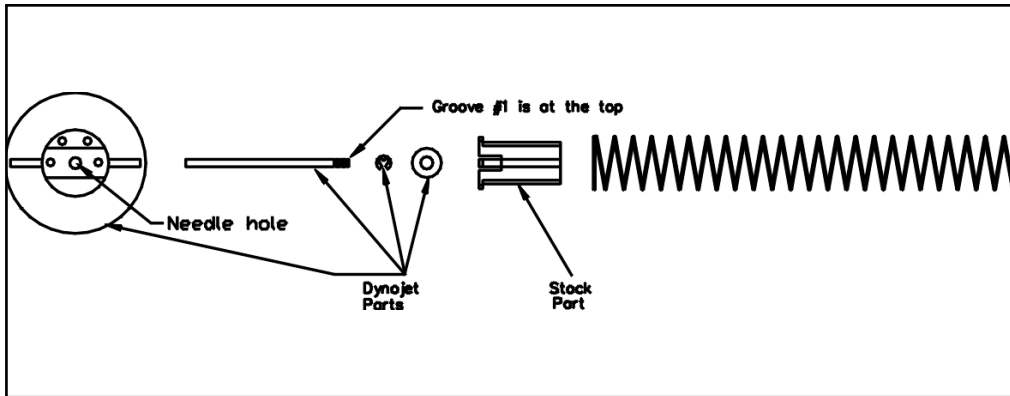
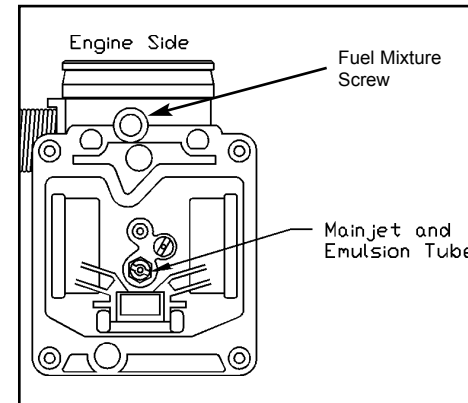


Fig. B



THUNDERSLIDE INSTALLATION INSTRUCTIONS

DYNOJET
D18136S.001

1. Remove the carb top, slide spring, needle retainer, and needle.
2. Carefully remove the original rubber diaphragm from the metal slide by gently pulling at the inner edge of the diaphragm in a circular motion until diaphragm is out of the stock slide retaining groove. The stock rubber diaphragm will be installed on the Thunderslide.
3. To assemble the stock diaphragm on the Thunderslide, first install the larger slide retainer (DTS004) with the radial grooves facing up on to the slide (Fig. A). You will notice that the slide has a collar on the top which you will have to push the larger retainer past.
4. Lay the diaphragm on the lower retainer in the same direction it was on the stock slide.
5. Press the small slide retainer (DTS002) with the grooves facing down, on top of the diaphragm (Fig. A). You should hear a "snap" as it goes together. Make sure it is flat and secure on top of the slide and that the diaphragm is centered.

Fig. A

