

Thank you for purchasing this Dynojet kit. This kit has been developed for a motorcycle which is set to the parameters listed at the right in the "Stage" description. If your motorcycle does not meet any of these parameters please check with Dynojet before installation. For technical assistance contact your Dynojet distributor or call Dynojet U.S.A. (800)-992-4993



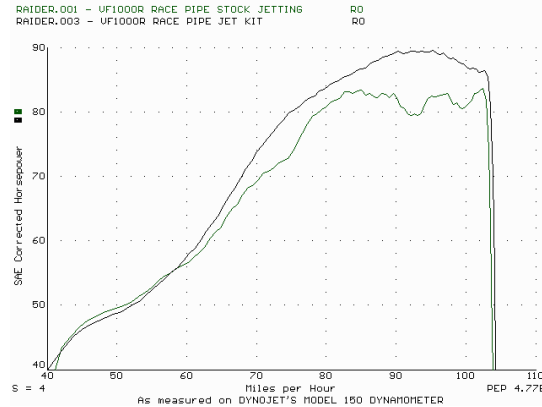
**E1133.001**

European Models Only

*1986 Honda VF1100 Magna*

**Stage 1**

For mildly tuned machines using the stock air-box, with stock or K&N filter. May also be used with a good aftermarket exhaust system  
K&N filter #HA-6583



*This graph shows a typical gain with a Dynojet jet kit.*

# WARNING

**NO SMOKING!  
NO OPEN FLAME!  
WHILE INSTALLING  
YOUR DYNOJET KIT**

2191 Mendenhall Dr. Suite 105  
North Las Vegas, NV 89031  
TEL: 702-399-1423  
FAX: 702-399-1431  
8am-5pm Pacific Time  
Monday through Friday

Website Address  
<http://www.dynojet.com>

The manufacturer and seller make no warranties express or implied which extend beyond the description of the goods contained herein. Any description of this product is for the purpose of identifying it and shall not be deemed to create an express warranty.

## Parts List

4	Main Jets	DJ116
4	Main Jets	DJ120
1	Slide Drill	DD #28
4	Fuel Needles	DNO111
4	Adjusting Washers	DW0001
4	E-Clips	DE0001

## STAGE ONE INSTRUCTIONS

**DYNOJET**

**E1133.001**

1. Remove the vacuum slide from the carbs. Remove the stock needles & spacers, noting order of assembly. Locate slide lift holes using Fig. A. With the slide drill (DD #28) supplied, enlarge your slide lift holes. The picture may not show your slide exactly, enlarge your slide lift hole or holes depending on your model, Do **not** drill any new lift holes. Do **not** drill the needle hole.

2. Install Dynojet needles on groove #3, using all stock spacers. Install the Dynojet washers above the E-clip.

3. Remove the stock main jets and replace with the Dynojet main jets provided. If you are running the stock exhaust use the DJ116 main jets, if you are running an aftermarket header or slip-on with high flowing baffle, use the DJ120 main jets. Be sure that the jets you are changing are the main jets.

4. Locate the fuel mixture screw (Fig. B). Carefully turn mixture screws clockwise until lightly seated, then turn back out 2 turns.

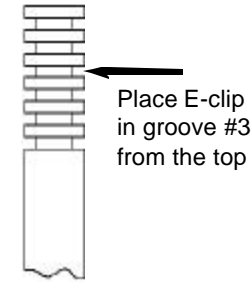


Fig. A

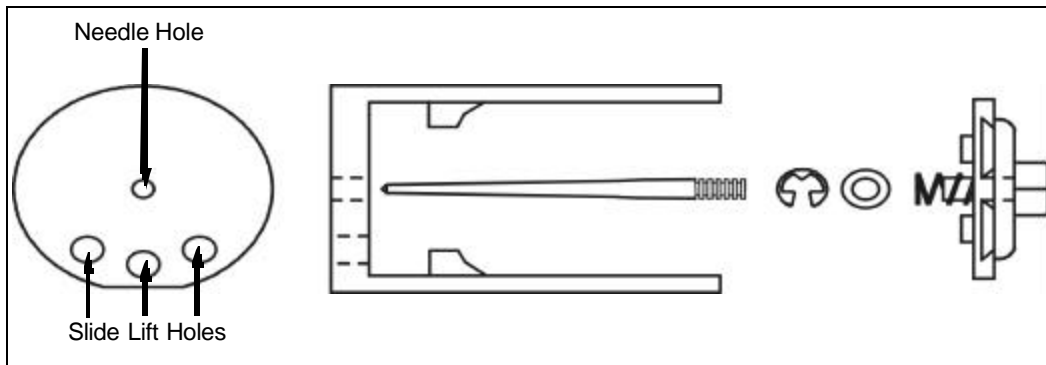


Fig. B

