

Thank you for purchasing this Dynojet kit. This kit has been developed for a motorcycle which is set to the parameters listed at the right in the "Stage" description. If your motorcycle does not meet any of these parameters please check with Dynojet before installation. For technical assistance contact your Dynojet distributor or call Dynojet U.S.A. (800)-992-4993

2191 Mendenhall Dr. Suite 105
 North Las Vegas, NV 89031
 TEL: 702-399-1423
 FAX: 702-399-1431
 8am-5pm Pacific Time
 Monday through Friday

Website Address
<http://www.dynojet.com>

The manufacturer and seller make no warranties express or implied which extend beyond the description of the goods contained herein. Any description of this product is for the purpose of identifying it and shall not be deemed to create an express warranty.



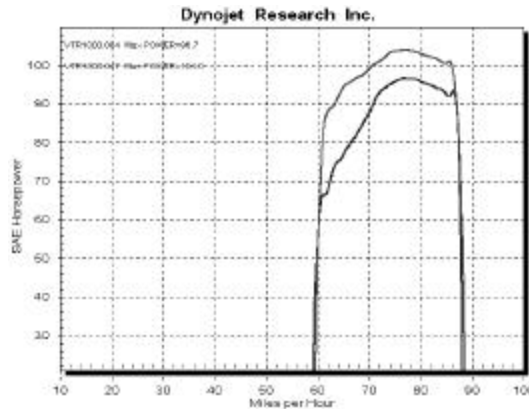
E1185.002

European Models Only

1997-99 Honda VTR1000

Stage 1

For mildly tuned machines using the stock air-box, with stock or K&N filter. May also be used with a good aftermarket exhaust system
 K&N filter #HA-0011



This graph shows a typical gain with a Dynojet jet kit.

WARNING

**NO SMOKING!
 NO OPEN FLAME!
 WHILE INSTALLING
 YOUR DYNOJET KIT**

Parts List		
2	Main Jet	DJ170
2	Main Jet	DJ180
2	Main Jet	DJ190
2	Fuel Needle	DNO277
2	Adjusting Washer	DW0001
2	E-clips	DE0001
1	Slide Drill	DD #40

STAGE ONE INSTRUCTIONS

1. Remove vacuum slides from carbs. Remove stock needles & spacers noting order of assembly (Fig. C). Using the drill bit provided (DD #40) drill an auxiliary lift hole opposite one of the existing holes (Fig. A). **Race use only:** Remove the needle retainer o-rings (Fig. B). Re-install the needle retainers into the slides without needles or washers (This is necessary as the needle retainer is to be drilled along with the slide). Using the drill bit supplied (DD #40) drill thru the retainer using the existing slide lift holes as a guide. **Note:** The existing slide lift holes should be the same size as the drill supplied, if not stop and call Dynojet. Re-install needle retainer o-rings.
2. Install Dynojet needles on groove #4 from the top. Use all stock spacers (Fig. E). Install the small Dynojet washers above the E-clip. After installing the slides in the carbs be sure to check slide movement manually before air box installation.
3. Remove the stock main jets and replace with Dynojet mains provided. If you are running the stock exhaust install the DJ170s. When running a good aftermarket exhaust with a high flow baffle use the DJ180s. The DJ170 is to be used if running at high altitude
4. Locate the fuel mixture screw (Fig. D). Carefully turn the screws clockwise until they lightly seat and then back out 2 turns.

DYNOJET
E1185.002

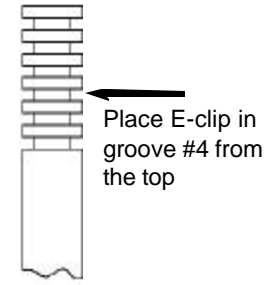


Fig. D

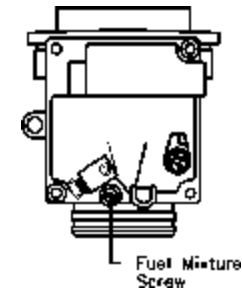


Fig. A

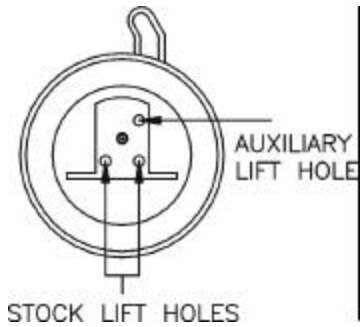


Fig. B



Fig. C

