

Thank you for purchasing this Dynojet kit. This kit has been developed for a motorcycle which is set to the parameters listed at the right in the "Stage" description. If your motorcycle does not meet any of these parameters please check with Dynojet before installation. For technical assistance contact your Dynojet distributor or call Dynojet U.S.A. (800)-992-4993

2191 Mendenhall Dr. Suite 105
 North Las Vegas, NV 89031
 TEL: 702-399-1423
 FAX: 702-399-1431
 8am-5pm Pacific Time
 Monday through Friday

Website Address
<http://www.dynojet.com>

The manufacturer and seller make no warranties express or implied which extend beyond the description of the goods contained herein. Any description or this product is for the purpose of identifying it and shall not be deemed to create an express warranty.



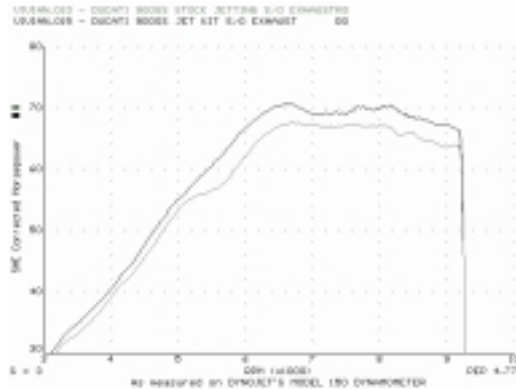
E7206.001

European Models Only

1993-98 Ducati M-900

Stage 2

For mildly tuned machines using the stock airbox with lid removed and K&N filter. May also be used with a good aftermarket exhaust system K&N filter #DU-0900.



This graph shows a typical gain with a Dynojet jet kit.

WARNING

**NO SMOKING!
 NO OPEN FLAME!
 WHILE INSTALLING
 YOUR DYNOJET KIT**

Parts List		
2	Main Jets	YJ165
2	Main Jets	YJ170
2	Main Jets	YJ175
6	Main Jet O-Rings	YJ-0
2	Slide Springs	DSP007
2	Fuel Needles	DNT730
2	Adjusting Washers	DW0001
2	E-Clips	DE0001

STAGE TWO INSTRUCTIONS

DYNOJET

E7206.001

1. Remove the vacuum slides from the carbs. Remove the stock needles and spacers, noting the order of assembly (Fig. A).
2. Install the Dynojet needles on groove #3 from the top. Use all stock spacers (Fig. A). Install the small Dynojet washers above the E-clip. After installing the slides in the carbs be sure to check slide movement manually before air box installation.
3. Install the Dynojet slide springs (DSP007) in place of the stock springs, making sure springs are aligned properly.
4. Remove the stock main jets and install the Dynojet main jets provided. The main jet is a press in jet located next to the large head Mikuni jet. There is a small retaining plate that secures the main jet in place. Remove the large head jet, retaining plate, and then the main jet. Swap the o-ring from the stock main jet to the Dynojet main jet and reinstall all pieces. Use the YJ170 main jets with the stock exhaust, or use the YJ175 main jets with an aftermarket exhaust or slip-on with a high flowing baffle. If you are operating at high altitudes use the YJ165 main jets.
5. Locate the fuel mixture screw (Fig. B). Carefully turn mixture screws clockwise until lightly seated, then back out 3-1/2 turns.

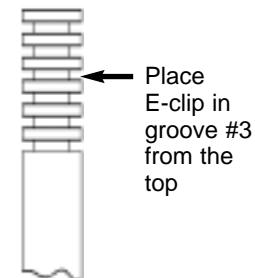


Fig. A

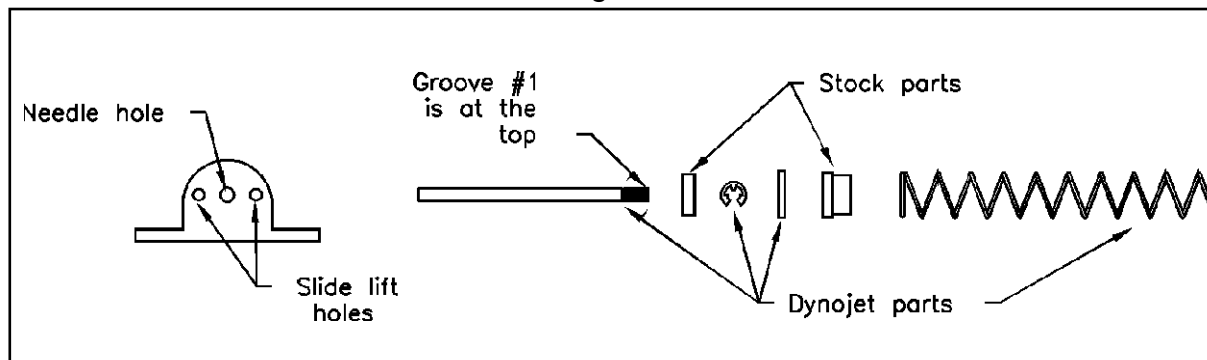


Fig. B

