

[POWER COMMANDER V]

FUEL AND IGNITION

2017 Husqvarna 701SM

Installation Instructions



PARTS LIST

- 1 Power Commander
- 1 USB Cable
- 1 Installation Guide
- 2 Power Commander Decals
- 2 Dynojet Decals
- 2 Velcro strips
- 1 Alcohol swab
- 1 O2 Optimizer

THE IGNITION MUST BE TURNED OFF BEFORE INSTALLATION!

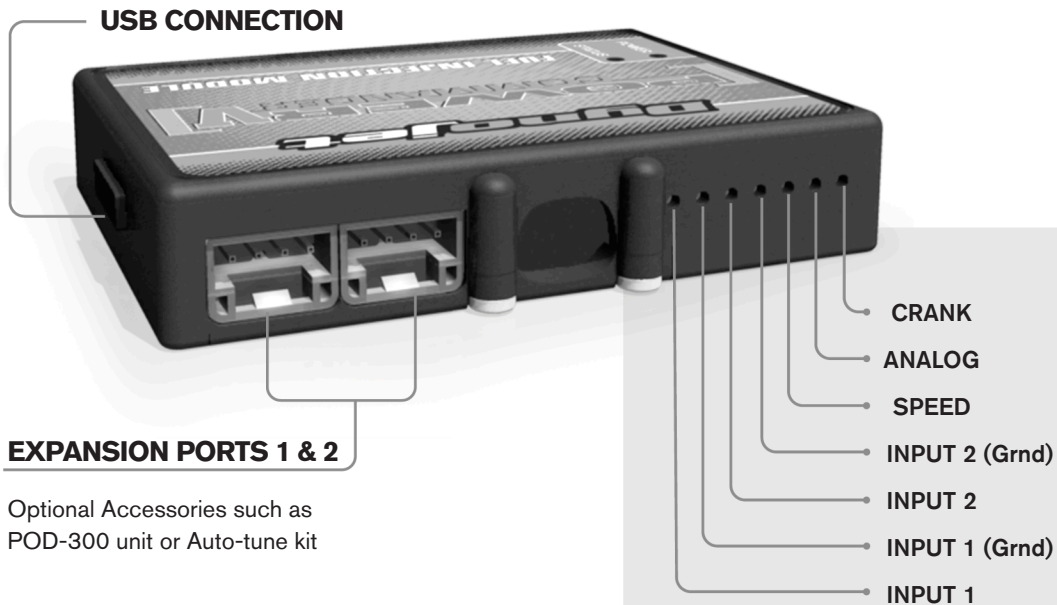
YOU CAN ALSO DOWNLOAD THE POWER COMMANDER SOFTWARE AND LATEST MAPS FROM OUR WEB SITE AT:
www.powercommander.com

PLEASE READ ALL DIRECTIONS BEFORE STARTING INSTALLATION

Dynojet

2191 Mendenhall Drive North Las Vegas, NV 89081 (800) 992-4993 www.powercommander.com

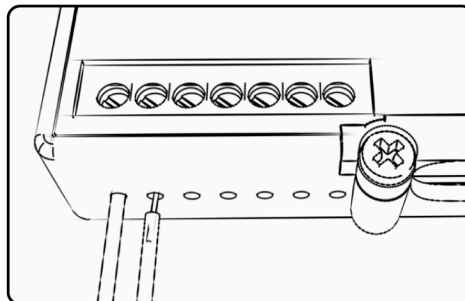
POWER COMMANDER V INPUT ACCESSORY GUIDE



Wire connections:

To input wires into the PCV first remove the rubber plug on the backside of the unit and loosen the screw for the corresponding input. Using a 22-24 gauge wire strip about 10mm from its end. Push the wire into the hole of the PCV until it stops and then tighten the screw. Make sure to reinstall the rubber plug.

NOTE: If you tin the wires with solder it will make inserting them easier.



ACCESSORY INPUTS

Map -

(Input 1 or 2) The PCV has the ability to hold 2 different base maps. You can switch on the fly between these two base maps when you hook up a switch to the MAP inputs. You can use any open/close type switch. The polarity of the wires is not important. When using the Autotune kit one position will hold a base map and the other position will let you activate the learning mode. When the switch is "CLOSED" Autotune will be activated. (Set to Switch Input #1 by default.)

Shifter-

(Input 1 or 2) These inputs are for use with the Dynojet quickshifter. Insert the wires from the Dynojet quickshifter into the SHIFTER inputs. The polarity of the wires is not important. (Set to Switch Input #2 by default.)

Speed-

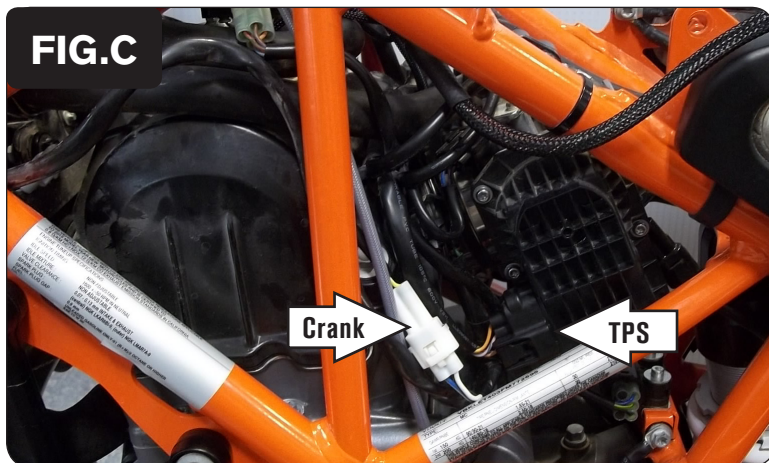
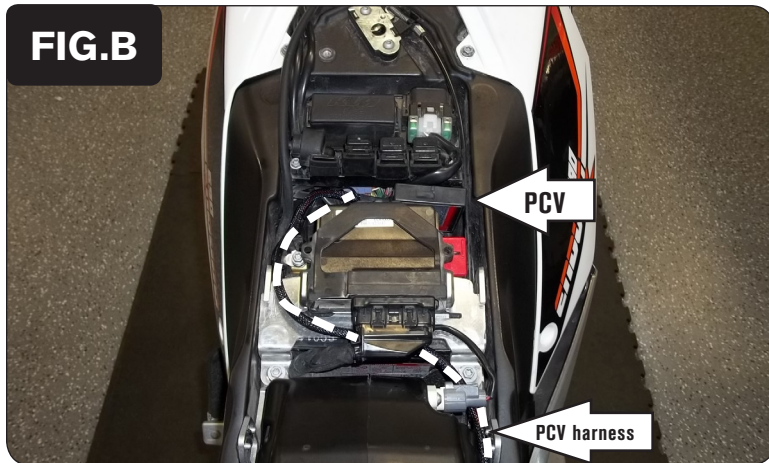
If your application has a speed sensor then you can tap into the signal side of the sensor and run a wire into this input. This will allow you to calculate gear position in the Control Center Software. Once gear position is setup you can alter your map based on gear position and setup gear dependent kill times when using a quickshifter.

Analog-

This input is for a 0-5v signal such as engine temp, boost, etc. Once this input is established you can alter your fuel curve based on this input in the control center software.

Crank-

Do **NOT** connect anything to this port unless instructed to do so by Dynojet. It is used to transfer crank trigger data from one module to another.



- 1 Remove the seat. Remove the 2 panels at both sides of the fuel tank.
- 2 Remove the airbox by removing the 4 bolts. Loosen clamp at throttle body.
Figure A only shows one side. Remove same bolts on other side. The regulator/rectifier will need to be removed on the right side.
- 3 Store the PCV module in the tail just behind the ECU. Route the wiring harness forward towards the engine going around the ECU and down the left side of the motorcycle (Fig. B).
- 4 Use the supplied Velcro strips to secure the PCV module in the tail section.
Clean both surfaces with the supplied alcohol swab prior to applying the Velcro adhesive.
- 5 Secure the PCV ground wire with the small ring lug to the negative (-) terminal of the bike's battery.
- 6 Unplug the stock Throttle Position Sensor (Fig. C).
This is a BLACK 6 pin connector on the left hand side of throttle body
- 7 Unplug the stock Crank Position Sensor (Fig. C).
This is a WHITE 2 pin connector



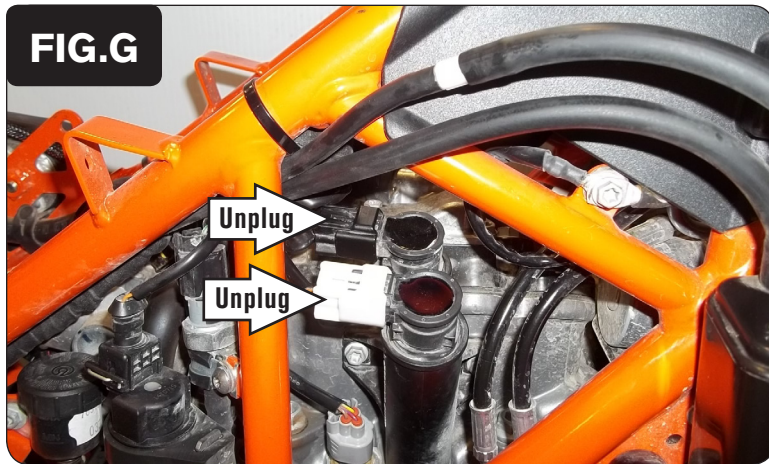
- 8 Plug the PCV in-line of the stock CPS and TPS (Fig. D).
- 9 Secure the wires away from any moving parts.
- 10 Route the remaining PCV harness to the right side of the motorcycle.



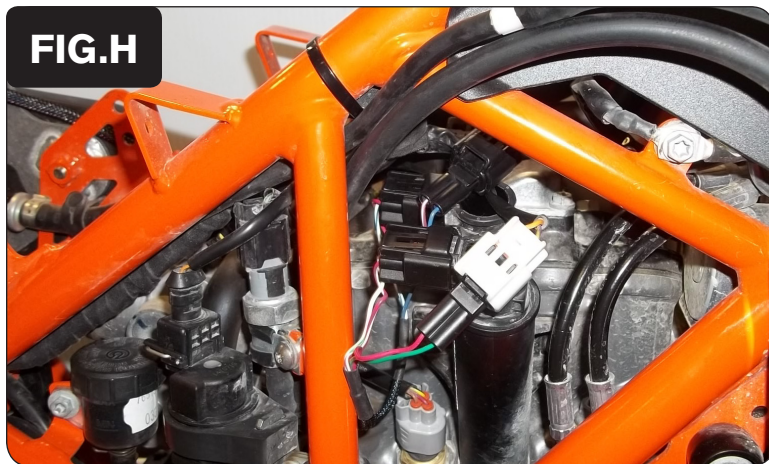
- 11 Locate and unplug the bike's Fuel Injector (Fig. E).
The Fuel Injector is located directly on top of the throttle body.



- 12 Plug the PCV in-line of the stock injector and wiring harness (Fig. F).



- 13 On the right side of the engine, locate and unplug the stock BLACK 2-pin connector from the inner coil stick and the stock WHITE 2-pin connector from the outer coil stick (Fig. G).



- 14 Plug the pair of PCV wiring harness leads with GREEN colored wires in-line of the inner coil stick and the stock BLACK 2-pin coil connector.
- 15 Plug the pair of PCV wiring harness leads with BLUE colored wires in-line of the outer coil stick and the stock WHITE 2-pin coil connector (Fig. H).



- 16 Locate and unplug the stock connector for the bike's O2 sensor.
This is a 4-pin connector on the left side of the bike near the Throttle Position Sensor. You can trace the cable from the O2 sensor in your exhaust to this connector.
- 17 Plug the O2 Optimizer into the stock wiring harness (Fig. J).
The stock O2 sensor will no longer be connected to anything and can be removed if desired.
- 18 Reinstall the airbox and bodywork.