

[POWER COMMANDER V]

2001-2002 Suzuki GSXR1000

Installation Instructions



PARTS LIST

- 1 Power Commander
- 1 USB Cable
- 1 Installation Guide
- 2 Power Commander Decals
- 2 Dynojet Decals
- 2 Velcro strips
- 1 Alcohol swab

THE IGNITION MUST BE TURNED OFF BEFORE INSTALLATION!

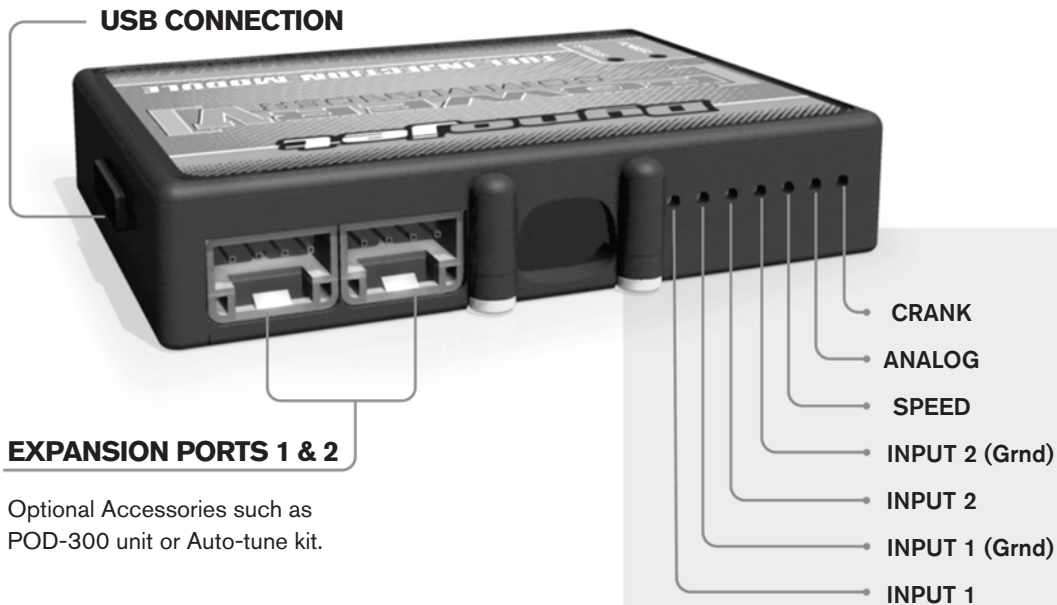
THE LATEST POWER COMMANDER SOFTWARE AND MAP FILES CAN BE DOWNLOADED FROM OUR WEB SITE AT:
www.powercommander.com

PLEASE READ ALL DIRECTIONS BEFORE STARTING INSTALLATION

Dynojet

2191 Mendenhall Drive North Las Vegas, NV 89081 (800) 992-4993 www.powercommander.com

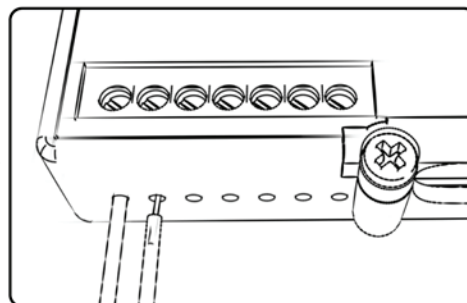
POWER COMMANDER V INPUT ACCESSORY GUIDE



Wire connections:

To input wires into the PCV first remove the rubber plug on the backside of the unit and loosen the screw for the corresponding input. Using a 22-24 gauge wire strip about 10mm from its end. Push the wire into the hole of the PCV until it stops and then tighten the screw. Make sure to reinstall the rubber plug.

NOTE: If you tin the wires with solder it will make inserting them easier.



ACCESSORY INPUTS

Map -

(Input 1 or 2) The PCV has the ability to hold 2 different base maps. You can switch on the fly between these two base maps when you hook up a switch to the MAP inputs. You can use any open/close type switch. The polarity of the wires is not important. When using the Autotune kit one position will hold a base map and the other position will let you activate the learning mode. When the switch is "CLOSED" Autotune will be activated. (Set to Switch Input #1 by default.)

Shifter-

(Input 1 or 2) These inputs are for use with the Dynojet quickshifter. Insert the wires from the Dynojet quickshifter into the SHIFTER inputs. The polarity of the wires is not important. (Set to Switch Input #2 by default.)

Speed-

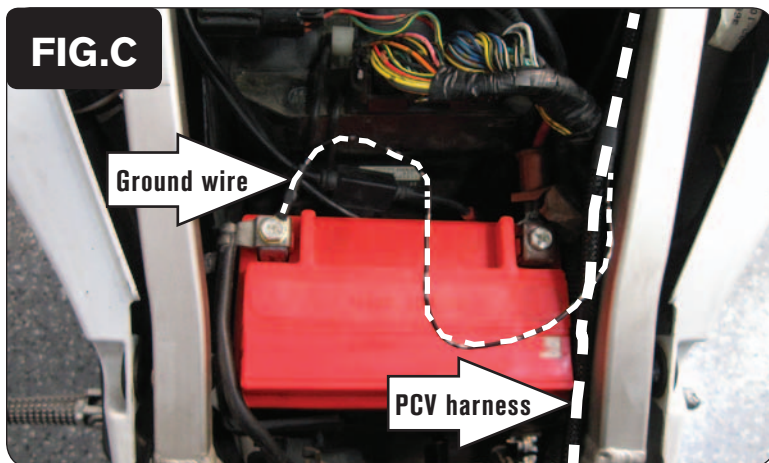
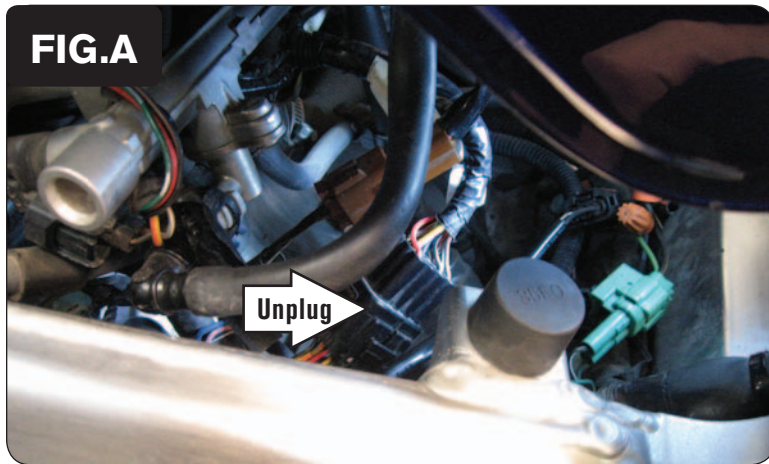
If your application has a speed sensor then you can tap into the signal side of the sensor and run a wire into this input. This will allow you to calculate gear position in the Control Center Software. Once gear position is setup you can alter your map based on gear position and setup gear dependent kill times when using a quickshifter.

Analog-

This input is for a 0-5v signal such as engine temp, boost, etc. Once this input is established you can alter your fuel curve based on this input in the control center software.

Crank-

Do **NOT** connect anything to this port unless instructed to do so by Dynojet. It is used to transfer crank trigger data from one module to another.



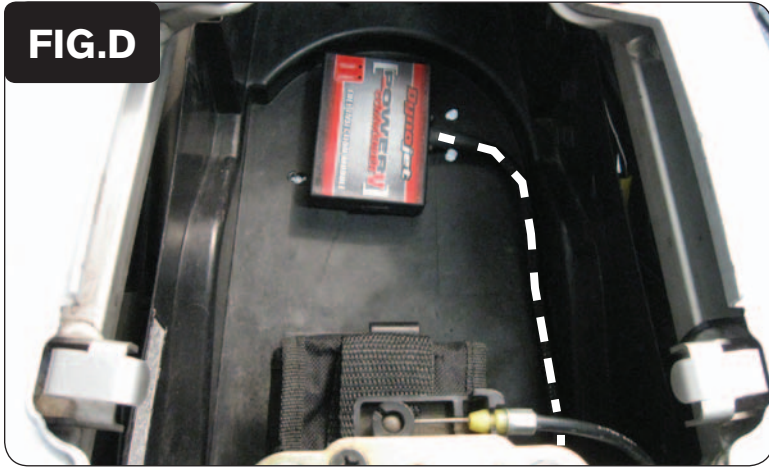
- 1 Remove the main seat and the passenger seat.
- 2 Unbolt the front of the fuel tank and hold the front of it up, using the prop rod located in the tail section.
- 3 Locate and unplug the pair of stock sub-harness connectors for the fuel injector rail (Fig. A).

Note: This is a pair of BLACK 16-pin connectors, located directly below the fuel tank.

- 4 Plug the matching pair of connectors of the PCV harness in-line of the stock connectors (Fig. B).

- 5 Route the PCV wiring harness along the inside of the left frame rail towards the battery.
- 6 Secure the ground wire of the PCV harness to the negative (-) terminal of the bike's battery (Fig. C).

FIG.D



- 7 Using the supplied Velcro, secure the PCV module in the tail section (Fig. D).
Use the supplied alcohol swab to clean the surface area prior to applying the Velcro.
Make sure all wiring is routed properly and also free and clear of any hot or moving parts.
- 8 Lower and bolt down the front of the fuel tank.
Note: When lowering the fuel tank, make sure the fuel line and PCV wiring harness do not get kinked or pinched at the frame support. If this happens, the bike might not run properly.
- 9 Reinstall the main seat and passenger seat.

Optional Inputs:

Speed input - PINK wire on BLACK 3-pin connector from speed sensor on the countershaft sprocket cover (BLACK/RED, BLACK/WHITE, PINK)

Temperature input - BLACK/BROWN wire of temp sensor at the rear of the engine.

12v source for Auto-tune - BROWN wire of taillight connector