

[POWER COMMANDER V]

2002-2003 Yamaha R1

Installation Instructions



PARTS LIST

- 1 Power Commander
- 1 USB Cable
- 1 Installation Guide
- 2 Power Commander Decals
- 2 Dynojet Decals
- 2 Velcro strips
- 1 Alcohol swab

THE IGNITION MUST BE TURNED OFF BEFORE INSTALLATION!

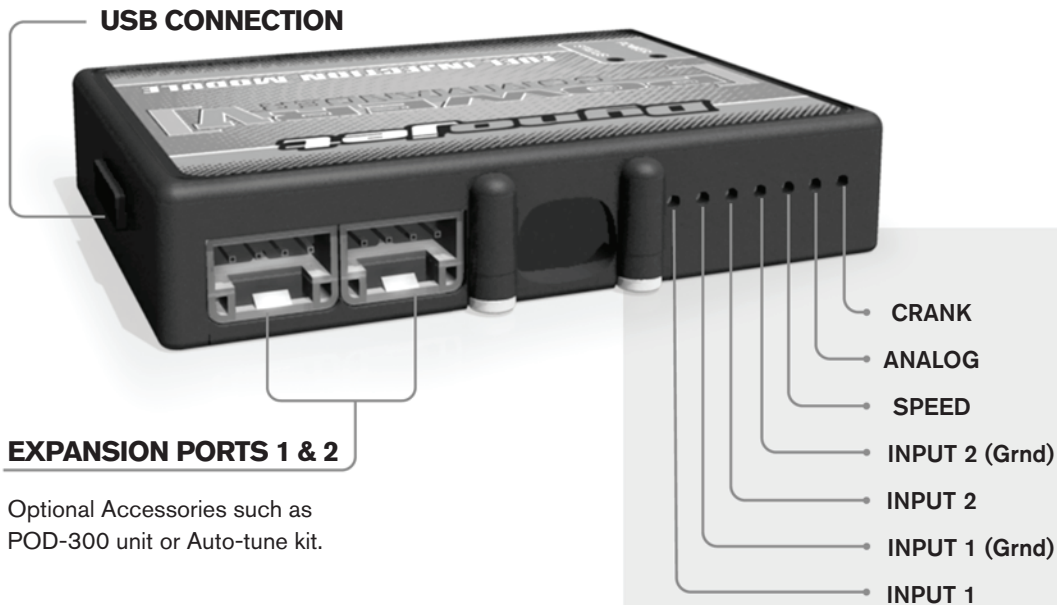
THE LATEST POWER COMMANDER SOFTWARE AND MAP FILES CAN BE DOWNLOADED FROM OUR WEB SITE AT:
www.powercommander.com

PLEASE READ ALL DIRECTIONS BEFORE STARTING INSTALLATION

Dynojet

2191 Mendenhall Drive North Las Vegas, NV 89081 (800) 992-4993 www.powercommander.com

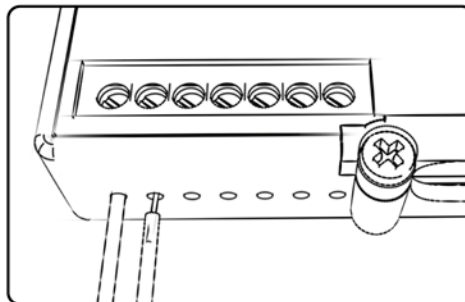
POWER COMMANDER V INPUT ACCESSORY GUIDE



Wire connections:

To input wires into the PCV first remove the rubber plug on the backside of the unit and loosen the screw for the corresponding input. Using a 22-24 gauge wire strip about 10mm from its end. Push the wire into the hole of the PCV until it stops and then tighten the screw. Make sure to reinstall the rubber plug.

NOTE: If you tin the wires with solder it will make inserting them easier.



ACCESSORY INPUTS

Map -

(Input 1 or 2) The PCV has the ability to hold 2 different base maps. You can switch on the fly between these two base maps when you hook up a switch to the MAP inputs. You can use any open/close type switch. The polarity of the wires is not important. When using the Autotune kit one position will hold a base map and the other position will let you activate the learning mode. When the switch is "CLOSED" Autotune will be activated. (Set to Switch Input #1 by default.)

Shifter-

(Input 1 or 2) These inputs are for use with the Dynojet quickshifter. Insert the wires from the Dynojet quickshifter into the SHIFTER inputs. The polarity of the wires is not important. (Set to Switch Input #2 by default.)

Speed-

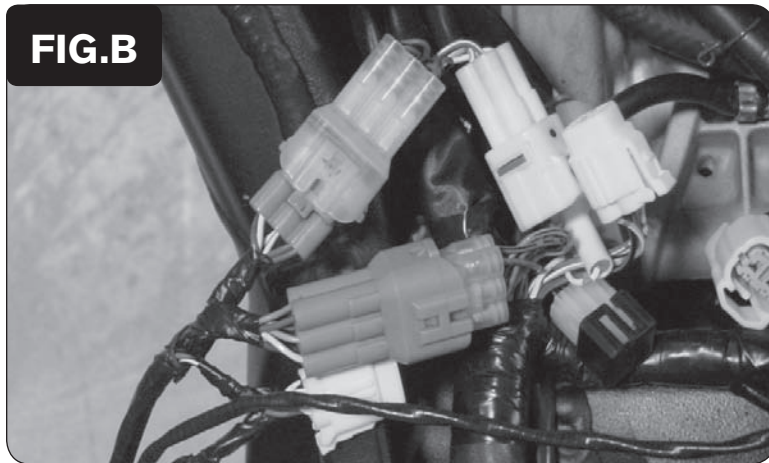
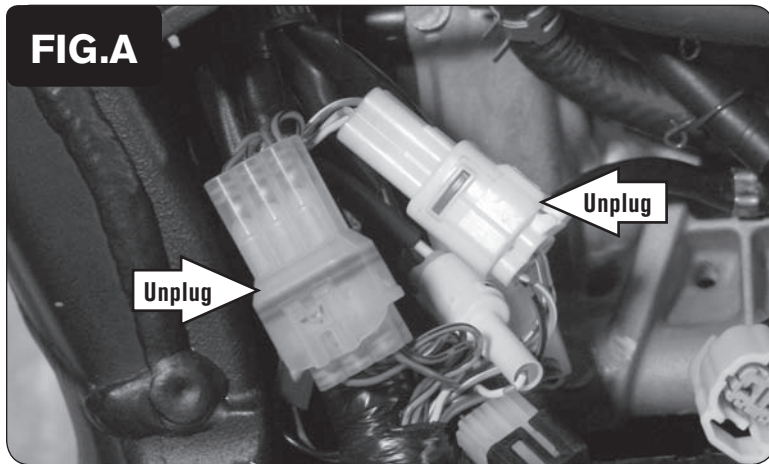
If your application has a speed sensor then you can tap into the signal side of the sensor and run a wire into this input. This will allow you to calculate gear position in the Control Center Software. Once gear position is setup you can alter your map based on gear position and setup gear dependent kill times when using a quickshifter.

Analog-

This input is for a 0-5v signal such as engine temp, boost, etc. Once this input is established you can alter your fuel curve based on this input in the control center software.

Crank-

Do **NOT** connect anything to this port unless instructed to do so by Dynojet. It is used to transfer crank trigger data from one module to another.

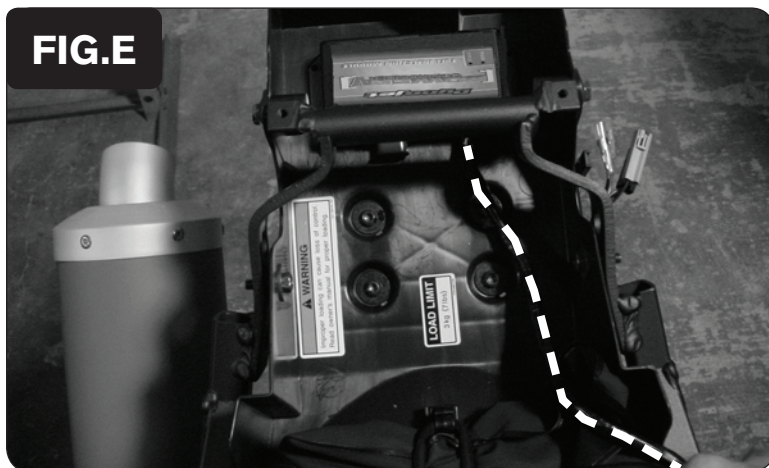
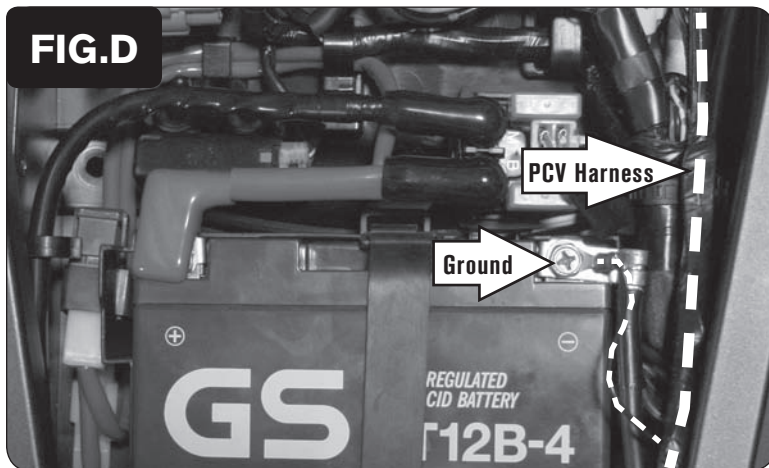


- 1 Remove the rider's and passenger's seat (or solo cover).
- 2 Lift the front of the fuel tank and prop it up with a prop rod.
- 3 Locate and unplug the stock 6-pin and 4-pin connectors for the bike's fuel injector sub-harness and throttle position sensor (Fig. A).

These connectors are located behind the throttle bodies under the fuel tank on the left hand side of the bike.

- 4 Plug the pair of 6-pin connectors on the PCV wiring harness in-line of the stock 6-pin connectors (Fig. B).

- 5 Plug the pair of 4-pin connectors on the PCV wiring harness in-line of the stock 4-pin connectors (Fig. C).



- 6 Route the PCV wiring harness to the tail section following just inside the left side frame rail.
- 7 Secure the PCV ground wire with the ring lug to the negative (-) side of the bike's battery (Fig. D).

- 8 Secure the PCV module inside the tail section, using the supplied Velcro (Fig. E).

Clean the surface with the supplied alcohol swab prior to applying the Velcro.

- 9 Lower and secure the fuel tank.
- 10 Reinstall the seats.

Optional inputs:

Speed - PINK wire from speed sensor. Connector is located under the fuel tank on the right hand side. Connector has PINK, ORANGE/RED, and BLACK/WHITE wires.

Temperature - GREEN/WHITE wire on pin #31 of the ECU

12v source for Auto-tune - BLUE wire of taillight connector. Connector is located by the ECU. It is a WHITE 3-pin connector with BLACK, BLUE, and YELLOW wires.