

Q207.001
1997-98 Kawasaki 400
Prairie
STAGE 1

For mildly tuned machines using the stock airbox, with stock or aftermarket filter. May also be used with a good aftermarket exhaust system. K&N Filter# KA-4093.

PARTS LIST		
1	Main Jet	DJ128
1	Main Jet	DJ132
1	Main Jet	DJ136
1	Fuel Needle	DNO105
2	Adjusting Washer	DW0001
1	E-Clip	DE0001

STAGE ONE INSTRUCTIONS

1. Remove vacuum slide from carb. Remove stock needle & spacers, noting order of assembly.
2. Install Dynojet needle on groove# 3 for applications below 5000 feet, groove #2 for above 5000 feet, using all stock spacers. Install the Dynojet washers above the E-clip.
3. Remove stock main jet and replace with Dynojet main provided. Use the DJ136 below 3000 feet, DJ132 from 3000 to 6000 feet and DJ128 above 6000Feet. Be sure that the jet you are changing is the main jet.
4. Locate the Fuel Mixture Screw. Using a flat blade screwdriver, turn the mixture screw clockwise until it seats, then turn out 2-1/4 turns .

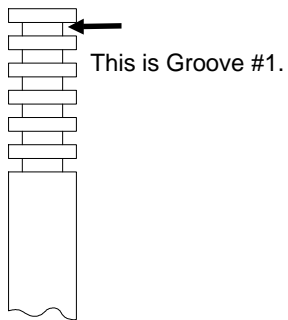
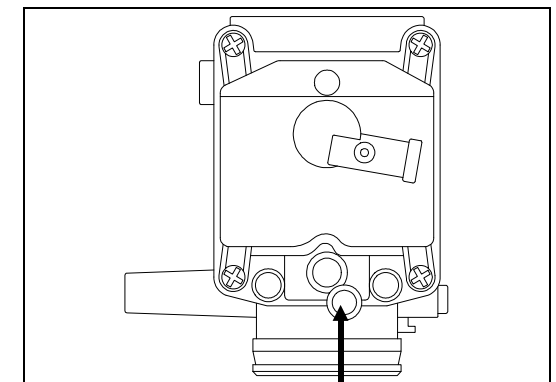
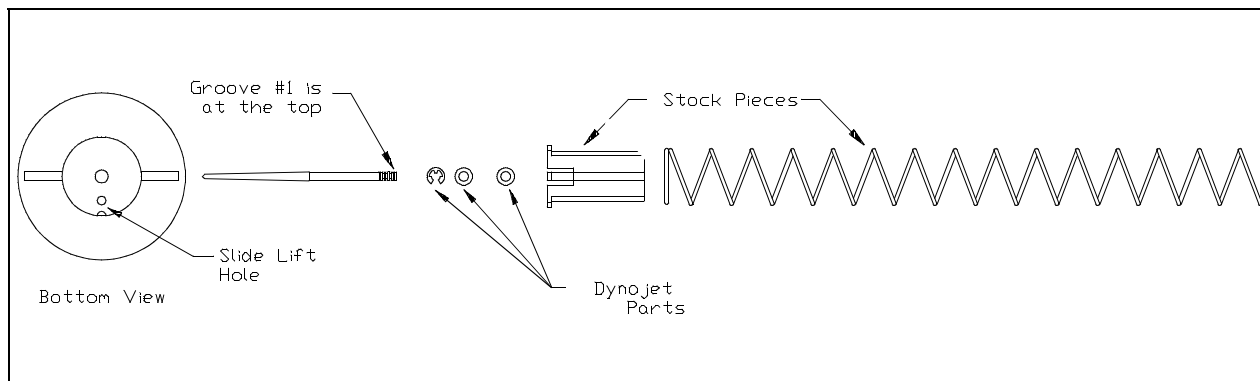


Fig. A

Fig. B



Fuel Mixture Screw