

Q209.001
1999-2001 Kawasaki 400
Prairie
STAGE 1

For mildly tuned machines using the stock airbox, with stock or aftermarket filter. May also be used with a good aftermarket exhaust system. K&N Filter # KA-4093.

PARTS LIST		
1	Main Jet	DJ126
1	Main Jet	DJ130
1	Main Jet	DJ134
1	Main Jet	DJ138
1	Main Jet	DJ142
1	Main Jet	DJ146
1	Fuel Needle	DNO106
2	Adjusting Washer	DW0001
1	E-Clip	DE0001

STAGE ONE INSTRUCTIONS

1. Remove vacuum slide from carb. Remove stock needle & spacers, noting order of assembly.
2. Install Dynojet needle on groove# 4 for applications below 5000 feet, groove #3 for above 5000 feet, using all stock spacers. Install the Dynojet washers above the E-clip.
3. Remove stock main jet and replace with Dynojet main provided. If you are running the stock exhaust use the DJ138 below 3000 feet, DJ134 from 3000 to 6000 feet and DJ130 above 6000 feet. If you are running an aftermarket exhaust with a HIGH flow baffle use the DJ142 below 3000 feet, DJ138 3000 to 6000 feet and the DJ134 above 6000 feet. Be sure that the jet you are changing is the main jet.
4. Locate the Fuel Mixture Screw. Using a flat blade screwdriver, turn the mixture screw clockwise until it seats, then turn out 3.5 turns .

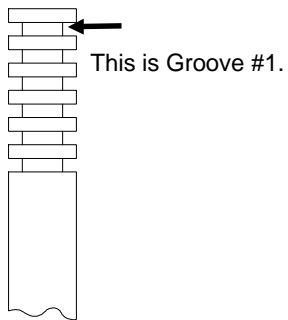


Fig. A

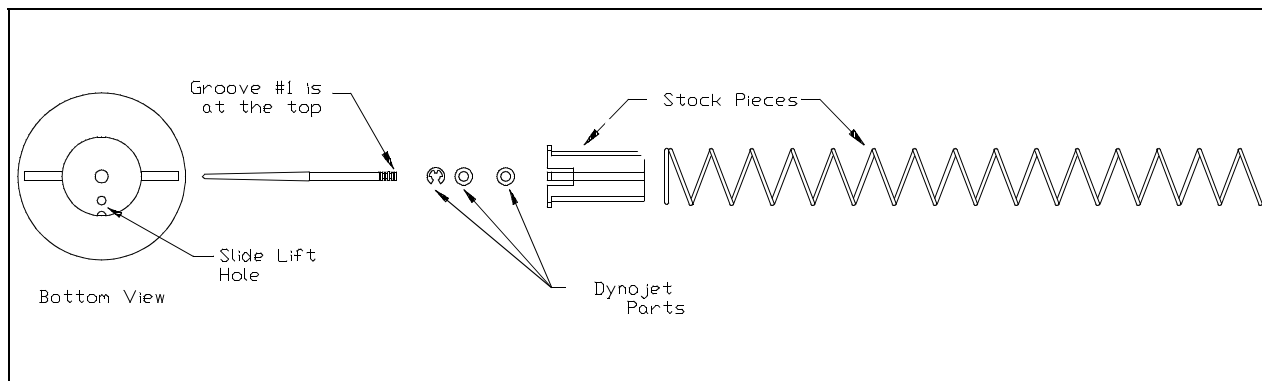


Fig. B

