

Q407.001
1998-2001 Yamaha YFM600
Grizzly
STAGE 1

For mildly tuned machines using the stock airbox, with stock or aftermarket filter. May also be used with a good aftermarket exhaust system. K&N Filter # YA-4350.

PARTS LIST		
1	Main Jet	DJ134
1	Main Jet	DJ138
1	Main Jet	DJ142
1	Main Jet	DJ146
1	Main Jet	DJ150
1	Fuel Needle	DNO900
1	Adjusting Washer	DW0001
1	E-Clip	DE0001

STAGE ONE INSTRUCTIONS

1. Remove vacuum slide from carb. Remove stock needle & spacers, noting order of assembly.
2. Install Dynojet needle on groove# 4 for applications below 5000 feet, groove #3 for above 5000 feet, using all stock spacers. Install the Dynojet washers above the E-clip. NOTE: You may need to enlarge the white plastic spacer that is located under the e-clip with a 1/8 drill (Fig.A), in order for it to fit on the Dynojet needle.
3. Remove stock main jet and replace with Dynojet main provided. With the stock exhaust, use the DJ142 below 3000 feet, DJ138 from 3000 to 6000 feet and DJ134 above 6000 feet. If you are running an aftermarket exhaust, use the DJ146 below 3000 feet, DJ142 from 3000 to 6000 feet and the DJ138 above 6000 feet.
4. Locate the Fuel Mixture Screw (Fig.B). Using a flat blade screwdriver, turn the mixture screw clockwise until it seats, then turn out 3 turns .

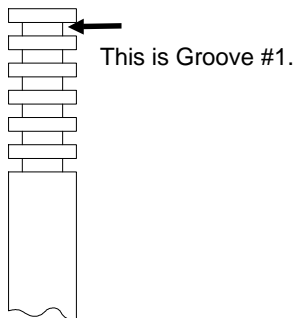
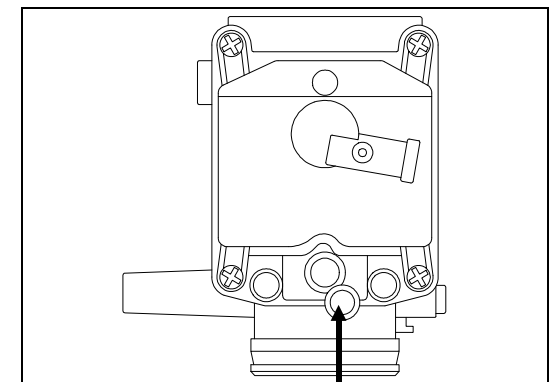
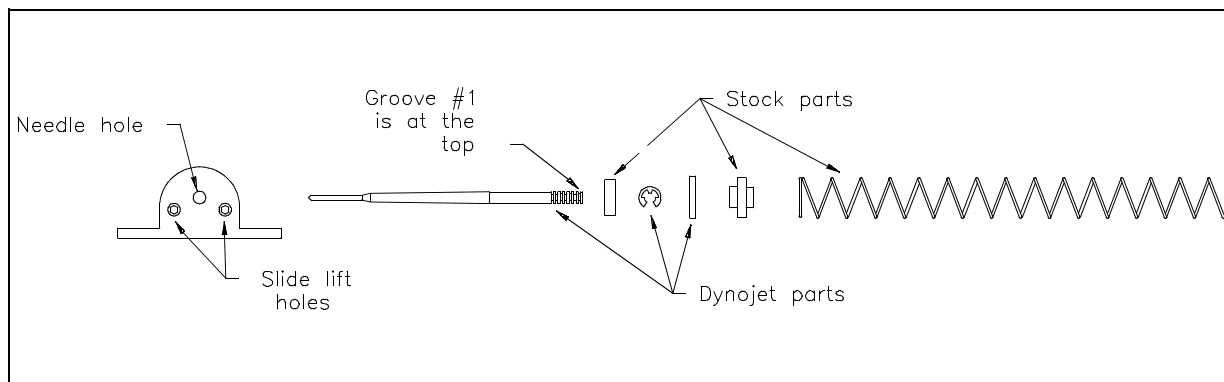


Fig. A

Fig. B



Fuel Mixture Screw