

Q607.001

1999-2000 Arctic Cat

AC 500 Standard

Stage 1

For mildly tuned machines using the stock airbox with stock or aftermarket filter. May also be used with a good aftermarket exhaust system.
K&N Filter # AC-4096

Parts List		
1	Main Jet	DJ130
1	Main Jet	DJ132
1	Main Jet	DJ134
1	Main Jet	DJ136
1	Main Jet	DJ138
1	Main Jet	DJ140
1	Main Jet	DJ142
1	Fuel Needle	DNO307
1	Adjusting Washer	DW0001
1	E-clips	DE0001

STAGE ONE INSTRUCTIONS

1. Remove vacuum slide from carbs. Remove stock needles & spacers, noting order of assembly (Fig.A).
2. Install Dynojet needle on groove # 2 for applications below 5000 feet, groove # 1 for above 5000 feet, using all stock spacers. Install the Dynojet washer above the E-clip.
3. Remove stock main jet and replace with Dynojet main provided. Use the DJ136 below 3000 feet, DJ134 from 3000 to 6000 feet and DJ132 above 6000 feet. When using an aftermarket exhaust with a high flow baffle, Use the DJ140 below 3000 feet, DJ138 from 3000 to 6000 feet and the DJ136 above 6000 feet. When using an aftermarket exhaust with a quiet baffle, Use the DJ138 below 3000 feet, DJ136 from 3000 to 6000 feet and the DJ134 above 6000 feet.
4. Locate the Fuel Mixture Screw (Fig.B). Using a flat blade screwdriver, turn the mixture screw clockwise until it seats, then turn out 3.5 turn, 3 turns above 5000 feet.

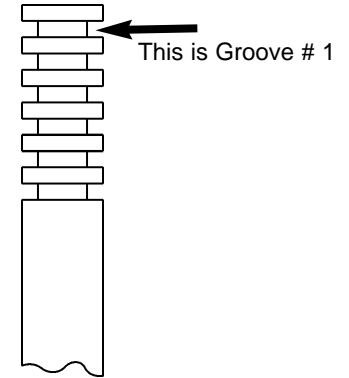


Fig.A

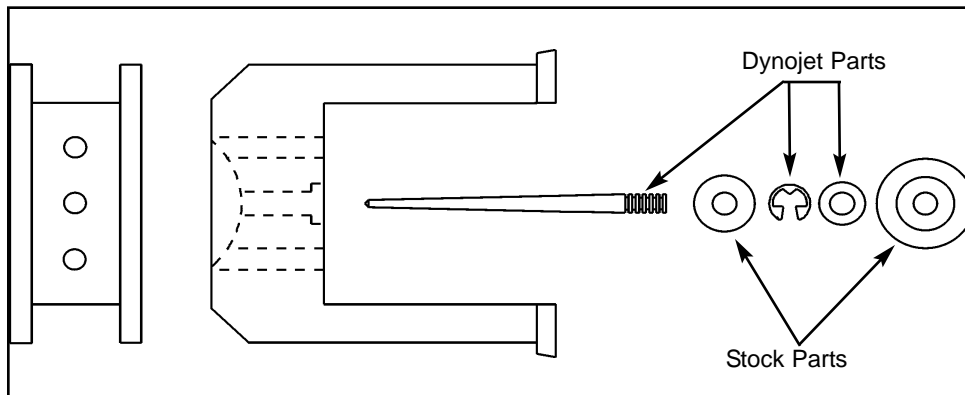


Fig.B

