

[POWER COMMANDER V]

2003-2009 Honda Varadero 1000

Installation Instructions



PARTS LIST

- 1 Power Commander
- 1 USB Cable
- 1 Installation Guide
- 2 Power Commander Decals
- 2 Dynojet Decals
- 2 Velcro strips
- 1 Alcohol swab

THE IGNITION MUST BE TURNED OFF BEFORE INSTALLATION!

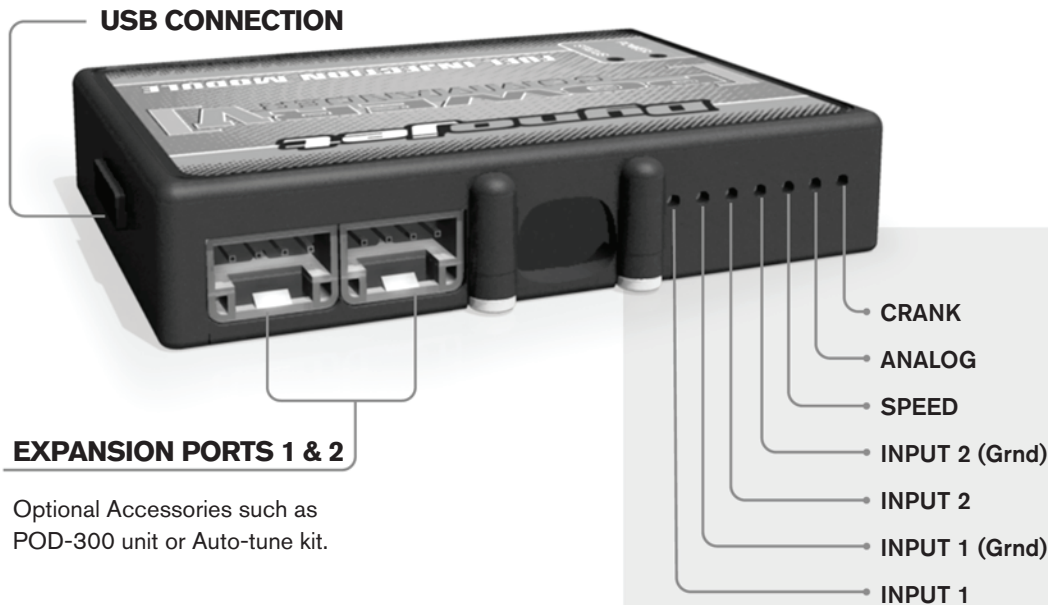
THE LATEST POWER COMMANDER SOFTWARE AND MAP FILES CAN BE DOWNLOADED FROM OUR WEB SITE AT:
www.powercommander.com

PLEASE READ ALL DIRECTIONS BEFORE STARTING INSTALLATION

Dynojet

2191 Mendenhall Drive North Las Vegas, NV 89081 (800) 992-4993 www.powercommander.com

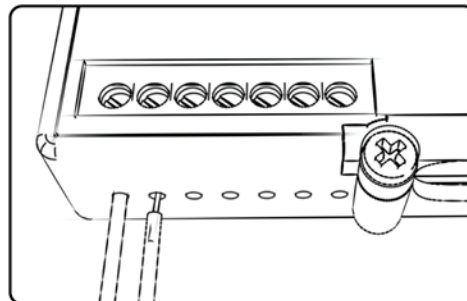
POWER COMMANDER V INPUT ACCESSORY GUIDE



Wire connections:

To input wires into the PCV first remove the rubber plug on the backside of the unit and loosen the screw for the corresponding input. Using a 22-24 gauge wire strip about 10mm from its end. Push the wire into the hole of the PCV until it stops and then tighten the screw. Make sure to reinstall the rubber plug.

NOTE: If you tin the wires with solder it will make inserting them easier.



ACCESSORY INPUTS

Map -

(Input 1 or 2) The PCV has the ability to hold 2 different base maps. You can switch on the fly between these two base maps when you hook up a switch to the MAP inputs. You can use any open/close type switch. The polarity of the wires is not important. When using the Autotune kit one position will hold a base map and the other position will let you activate the learning mode. When the switch is "CLOSED" Autotune will be activated. (Set to Switch Input #1 by default.)

Shifter-

(Input 1 or 2) These inputs are for use with the Dynojet quickshifter. Insert the wires from the Dynojet quickshifter into the SHIFTER inputs. The polarity of the wires is not important. (Set to Switch Input #2 by default.)

Speed-

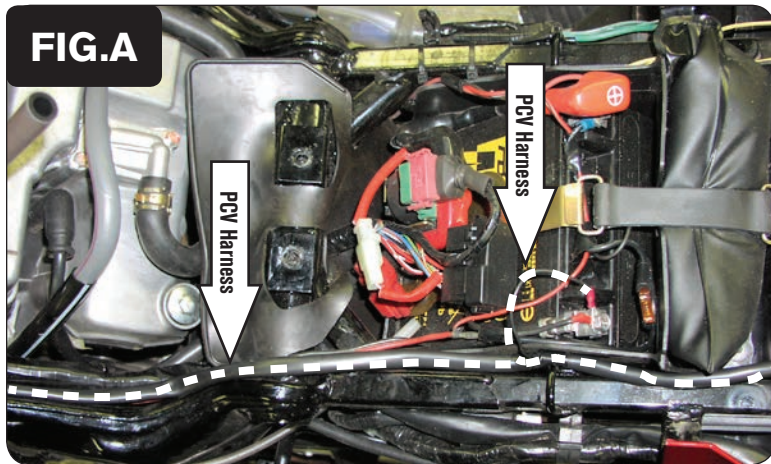
If your application has a speed sensor then you can tap into the signal side of the sensor and run a wire into this input. This will allow you to calculate gear position in the Control Center Software. Once gear position is setup you can alter your map based on gear position and setup gear dependent kill times when using a quickshifter.

Analog-

This input is for a 0-5v signal such as engine temp, boost, etc. Once this input is established you can alter your fuel curve based on this input in the control center software.

Crank-

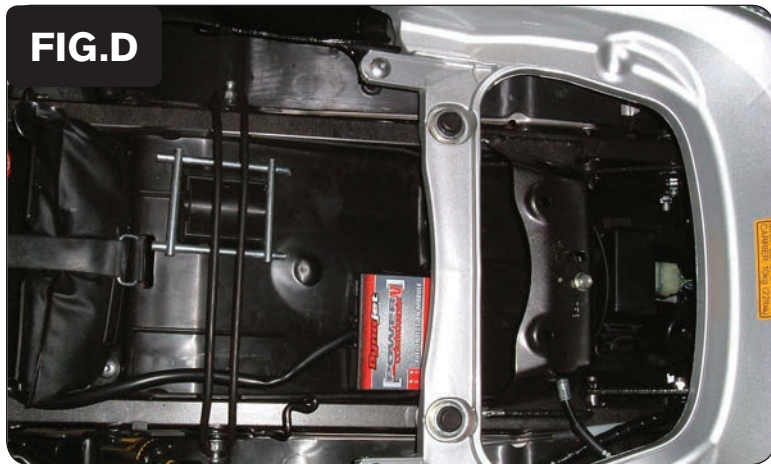
Do **NOT** connect anything to this port unless instructed to do so by Dynojet. It is used to transfer crank trigger data from one module to another.



- 1 Remove the seat.
- 2 Prop up the back of the fuel tank or remove it completely.
- 3 Route the PCV harness from the tail section towards the engine. Route the harness on the left side between the rear cylinder and frame along the main wiring harness of the bike (Fig. A).
- 4 Attach the ground wire from the PCV to the negative side of the battery. (Fig. A).

- 5 Locate the GREY connector from the throttle bodies.
This connector is located under the fuel tank, on the left outside of the frame. (Fig. B).

- 6 Unplug this connector and plug the PCV connectors in-line (Fig. C).



- 7 Install the PCV in the tail section using the supplied velcro to secure the unit in place (Fig. D).

Make sure to clean both surfaces with the alcohol swab before attaching.

- 8 Bolt the fuel tank down and install the seat.

Be careful not to pinch the PCV harness.

Optional inputs:

Speed input - PINK wire of 3 pin connector located behind the ABS pump
PINK-GREEN-BLACK.

Temperature input - PINK/WHITE of sensor in thermostat housing. Near PCV connections.

12v source for Auto-tune - BROWN wire of tail light connector.