

[POWER COMMANDER V]

2004-2006 Kawasaki Z750 / Z750S

Installation Instructions



PARTS LIST

- 1 Power Commander
- 1 USB Cable
- 1 Installation Guide
- 2 Power Commander Decals
- 2 Dynojet Decals
- 2 Velcro Strips
- 1 Alcohol Swab
- 3 Zip Ties
- 1 Posi-tap

**THE IGNITION MUST BE TURNED
OFF BEFORE INSTALLATION!**

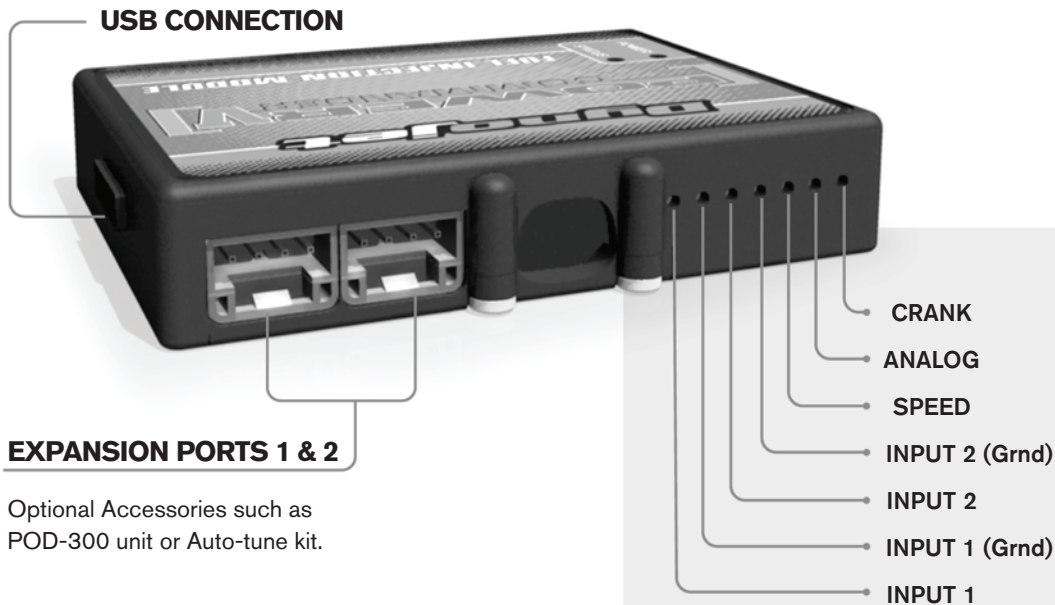
THE LATEST POWER COMMANDER
SOFTWARE AND MAP FILES CAN BE
DOWNLOADED FROM OUR WEB SITE AT:
www.powercommander.com

PLEASE READ ALL DIRECTIONS BEFORE STARTING INSTALLATION

Dynojet

2191 Mendenhall Drive North Las Vegas, NV 89081 (800) 992-4993 www.powercommander.com

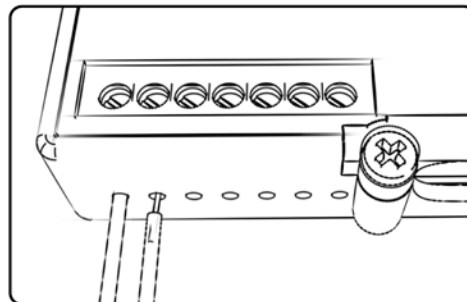
POWER COMMANDER V INPUT ACCESSORY GUIDE



Wire connections:

1. Remove the rubber plug on the backside of the unit and loosen the screw for the corresponding input.
2. Using a 22-24 gauge wire, strip about 10mm from its end.
3. Push the wire into the hole of the PCV until it stops and then tighten the screw.
4. Make sure to reinstall the rubber plug.

Note: If you tin the wires with solder it will make inserting them easier.



ACCESSORY INPUTS

Map -

(Input 1 or 2) The PCV has the ability to hold 2 different base maps. You can switch on the fly between these two base maps when you hook up a switch to the MAP inputs. You can use any open/close type switch. The polarity of the wires is not important. When using the Autotune kit one position will hold a base map and the other position will let you activate the learning mode. When the switch is "CLOSED" Autotune will be activated. (Set to Switch Input #1 by default.)

Shifter-

(Input 1 or 2) These inputs are for use with the Dynojet quickshifter. Insert the wires from the Dynojet quickshifter into the SHIFTER inputs. The polarity of the wires is not important. (Set to Switch Input #2 by default.)

Speed-

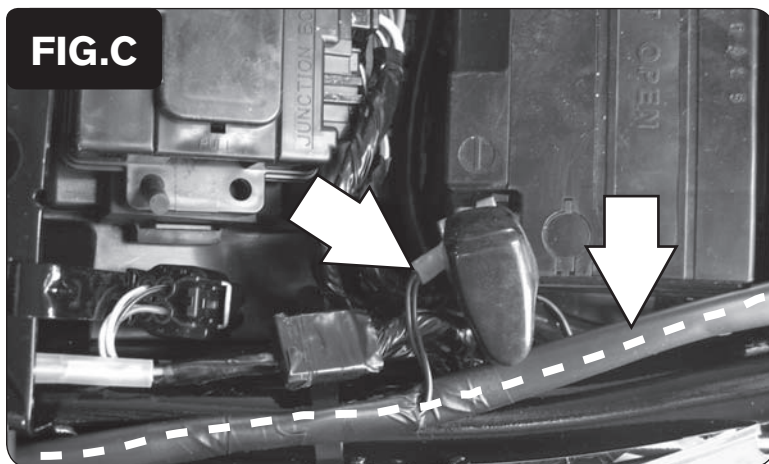
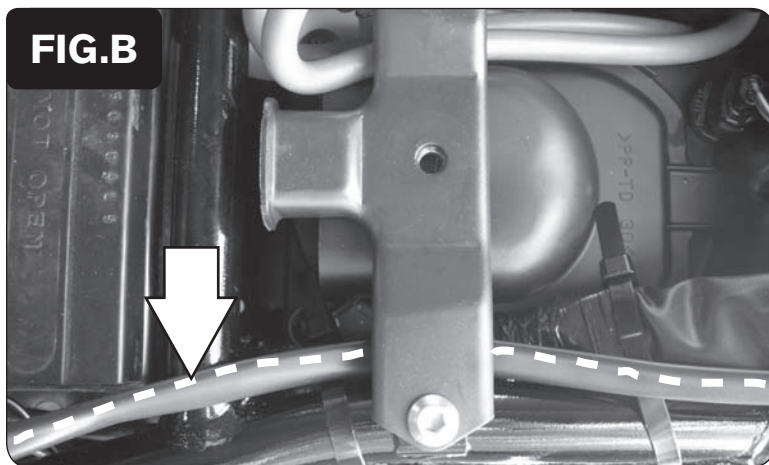
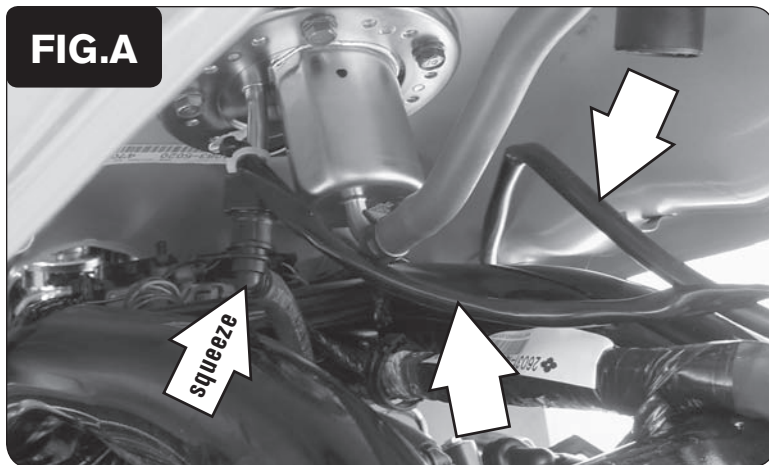
If your application has a speed sensor then you can tap into the signal side of the sensor and run a wire into this input. This will allow you to calculate gear position in the Control Center Software. Once gear position is setup you can alter your map based on gear position and setup gear dependent kill times when using a quickshifter.

Analog-

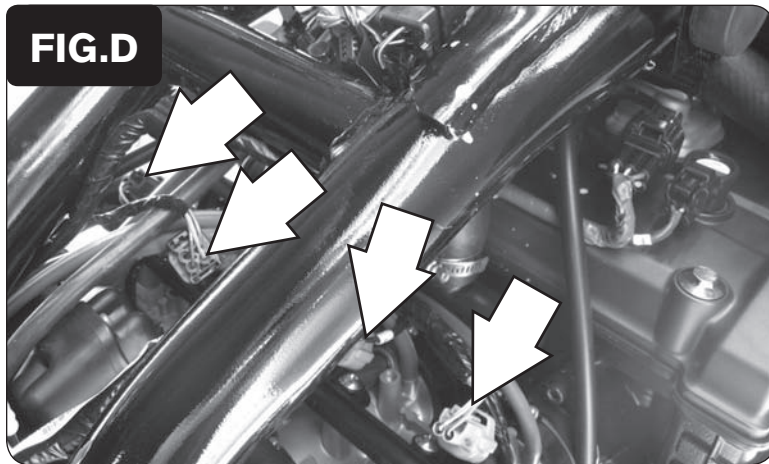
This input is for a 0-5v signal such as engine temp, boost, etc. Once this input is established you can alter your fuel curve based on this input in the control center software.

Crank-

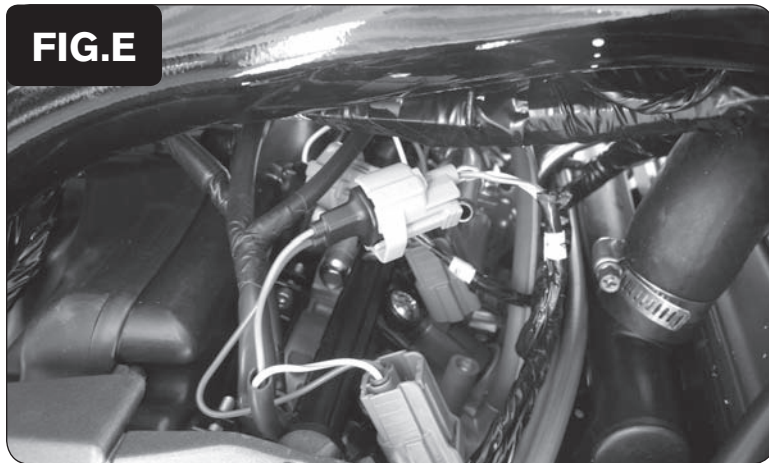
Do **NOT** connect anything to this port unless instructed to do so by Dynojet. It is used to transfer crank trigger data from one module to another.



- 1 Remove the main seat and the passenger seat.
- 2 Remove the fuel tank.
This installation can be done without removing the fuel tank, but it may be easier to remove the fuel tank.
- 3 Remove the fuel line by squeezing the sides of the connector as shown in Figure A.
- 4 Disconnect the two electrical connectors as shown in Figure A.
- 5 Lay the PCV in the tail section.
- 6 Route the PCV harness towards the throttle bodies. Keep the harness between the frame and the tail section.
- 7 Route the PCV harness underneath the fuel tank bracket as shown in Figure B.
- 8 Attach the ground wire from the PCV harness to the negative side of the battery.



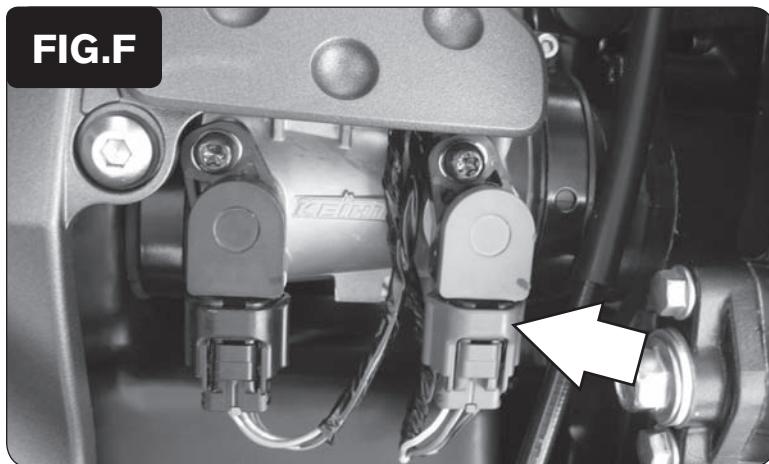
9 Unplug the stock wiring harness from the injectors as shown in Figure D.



10 Attach the connectors from the PCV to the stock wiring harness and injectors as shown in Figure E.

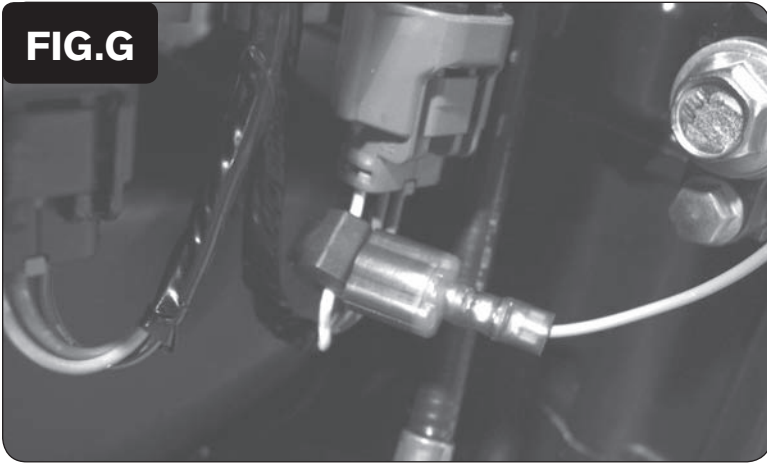
Connect the orange colored wires to cylinder #1 (left) and work towards the right.

Note: *Figure E shows cylinder #4 being connected.*



11 Locate the primary throttle position sensor on the right hand side of the throttle bodies as shown in Figure F.

FIG.G



12 Attach the supplied Posi-tap to the stock YELLOW/ WHITE wire.

13 Attach the GREY wire from the PCV to the Posi-tap.

Dynojet recommends using dielectric grease on these connections.

The wire tap used in Figure G is not a Posi-tap. This is an older crimp-on style wire tap.

Note: *This connection will be visible, so you may wish to connect the wire tap further up the wiring harness.*

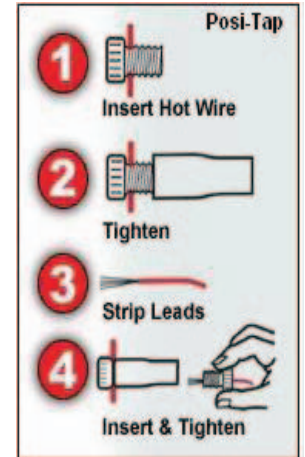


FIG.H



14 Using the supplied velcro, secure the PCV inside the tail section as shown in Figure H.

Make sure to clean both surfaces with the alcohol swab before attaching.

15 Reinstall the fuel tank and seat.